



CENTURIO PRO

MULTIPARAMETERS CONTROL SYSTEM



CENTURIO PRO is the ideal solutions for -no compromise- multiparameters control system with the ease and safety you need and with the stylish box designed by Giugiaro Design.

CENTURIO PRO is equipped with a Linux operating system, a high-performance ARM A5 microprocessor, a large, touchscreen, color display, in order to give you total and simultaneous control.



ERMES



R3-06-20

Specs subject to change without advise

- ⬆ Parameters: conductivity, chlorine, pH, ORP, tracers, inductive conductivity, turbidity, potentiostatic, corrosion, dissolved oxygen, level laser and mA Input.
- ⬆ 11 modules available / max 10 reading
- ⬆ Real-time graphs
- ⬆ Permanent data storage with system log
- ⬆ USB Download
- ⬆ Data import/export (backup & restore) via USB port to other CENTURIO.
- ⬆ Internet connection (WIFI, 3G/4G or LAN), configuration and control by ERMES web app using PC, smartphone or tablet with any browser.
- ⬆ MODBUS serial communication to be connected to other devices on RS485 networks and TCP/IP MODBUS, laser sensor.
- ⬆ Remote software updating preserving settings and data.
- ⬆ Simultaneous multiple view for probes reading
- ⬆ N.O./N.C. Levels selection
- ⬆ Working mode auto/manual/stop
- ⬆ Permanent data storage with system log
- ⬆ Stand-by input
- ⬆ Different working modes (on/off, impulsive proportional, proportional pwm and fixed pwm)
- ⬆ Timeout
- ⬆ Programmable delay at dosing start-up (up to 99 minutes)
- ⬆ PT 100 temperature compensation / built in probe
- ⬆ Alarms and log report (hourly, daily, weekly, monthly).
- ⬆ PEF LIGHT ALARM input

HARWARE

- ⬆ Large 4.3" LCD Full Color Touchscreen Display
- ⬆ High-performance ARM A5 microprocessor
- ⬆ Large capacity storage for logging

SOFTWARE

- ⬆ ERMES Remote Control
- ⬆ Multi-language
- ⬆ Cross platform software
- ⬆ Communication WIFI - 3G/4G - ETHERNET - MODBUS
- ⬆ High performance with LINUX operating system

PARAMETERS

- ⬆ 11 modules available
- ⬆ MODBUS TCP/IP and RTU module included
- ⬆ ETHERNET module included
- ⬆ USB module included
- ⬆ WIFI or GSM module as option
- ⬆ 0/4-20 mA input module as option to control different parameters remotely

BOX

- ⬆ Box design by GIUGIARO DESIGN
- ⬆ New "EASY-MOUNT" system
- ⬆ Designed for mounting on pipes
- ⬆ Opening with side zipper and captive screws



CENTURIO PRO

MULTIPARAMETERS CONTROL SYSTEM

11 MODULES AVAILABLE

<p>+</p> <p>CORROSION</p> <p>MPY</p> <p>MILS PER YEAR</p>	<p>+</p> <p>pH</p> <p>0 - 14 pH</p>	<p>+</p> <p>ORP</p> <p>-999 +999 mV</p>	<p>+</p> <p>CHLORINE</p> <p>DIFFERENT SCALES</p>	<p>+</p> <p>TRACERS</p> <p>0 - 999.9 PPM</p>	<p>+</p> <p>mA INPUT</p> <p>0/4-20 mA</p> <p>analog input on board</p>
	<p>+</p> <p>TURBIDITY</p> <p>40 NTU</p> <p>400 NTU</p> <p>4000 NTU</p>	<p>+</p> <p>POTENTIOSTATIC</p> <p>5 PPM</p>	<p>+</p> <p>DISSOLVED OXYGEN</p> <p>9.999 - 9999 PPM</p>	<p>+</p> <p>LASER LEVEL</p> <p>DIFFERENT TANKS</p>	<p>+</p> <p>CDIND</p> <p>0,1 - 3mS</p> <p>0,3 - 30mS</p> <p>0,3 - 300mS</p> <p>CONDUCTIVITY</p> <p>0 - 300.0 μS</p> <p>0 - 3000 μS</p> <p>0 - 30 mS</p> <p>0 - 300 mS</p>

TECHNICAL DATA

POWER SUPPLY	85-264 VAC; 50/60 Hz - 2 fuses protection (main power & controller)
AVERAGE CONSUMPTION	25 W
SETPOINT OUTPUTS	2 relays free contact, 6 powered (on/off), 8 for pulses dosing pump (NPN)
ANALOG OUTPUTS	6 0/4 - 20mA
INPUTS	2 for pulse sender water-meter, 1 flow sensor, 8 alarms channel, 1 standby
ENVIRONMENT TEMPERATURE	-10°C / 50°C (14°F / 122°F)
PROTECTION GRADE	IP65 - % working RH: 85% with ≤40 °C; 70% at 50 °C (non condensing)
POLLUTION LEVEL	2
CASE	ABS
TEST / CERTIFICATION	CE
DIMENSIONS	see draw
INSTALLATION	wall mounting (4 fixing points)
COMMUNICATION	ETHERNET / USB / MODBUS
OPTIONS ¹	<ul style="list-style-type: none"> • WIFI ² • GSM/GPRS ²

¹ On request

² For configuration features refer to the table at the end of the document.

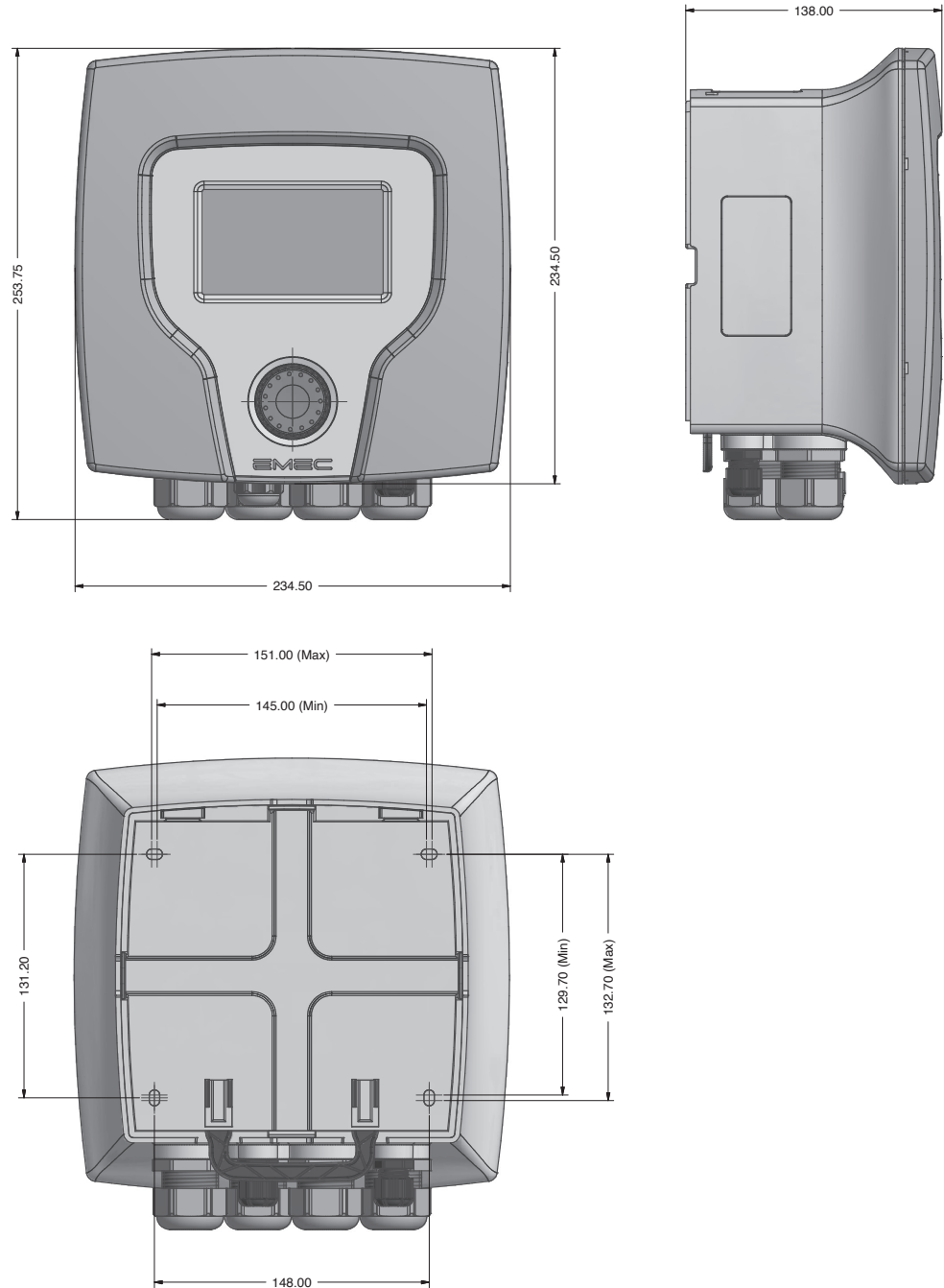


CENTURIO PRO

MULTIPARAMETERS CONTROL SYSTEM

DIMENSIONS

mm





CENTURIO PRO

MULTIPARAMETERS CONTROL SYSTEM

CONFIGURATIONS

INSTRUMENT CONFIGURATION	PLUS	WHEN	REQUIREMENTS	FUNCTION
USB	USB output	You do not need a PC on your plant: you can download data log on a USB device	/	RS485 output to link other EMEC instruments Data Log on USB device
ETHERNET	LAN network between instrument and web	Remote control via WEB ERMES	LAN wiring (RJ-45)	RS485 output to link other EMEC instruments Web ERMES remote control (PC, smartphone or tablet) Alarm messages via email
MODBUS	Connection to other devices (PLC) via RS485	PLC plant management	/	PLC connection output for reading and modifying parameters
GSM/GPRS ¹	3G/4G modem between instrument and web	Remote control via WEB ERMES	Network coverage	RS485 output to link other EMEC instruments Web ERMES remote control (PC, smartphone or tablet) Alarm messages via email Alarm messages via SMS
WIFI ¹	WIFI network between instrument and web	Remote control via WEB ERMES	Network coverage	RS485 output to link other EMEC instruments Web ERMES remote control (PC, smartphone or tablet) Alarm messages via email

¹ Option