

# PRISMA

## STEPPER MOTOR DOSING PUMP



The PRISMA diaphragm and stepper motor metering pump is designed for applications requiring high precision dosing volumes and reliable repeatability. Thanks to the microprocessor controlled stepper motor and excellent pitch resolution of 1: 4800, the entire stroke and suction cycle is controlled with maximum precision. Maximum steps frequency: 180 st/m.

The PRISMA dosing pumps ensure precise control of the stroke frequency and therefore a precise and low pulsation of the liquid additives even when dosing viscous substances. (max 10000 cP @ 10% slow mode).

R220322



### SLOW MODE

With the exclusive SLOW MODE functionality of the PRISMA metering pumps, the stroke speed during the suction cycle can be reduced from 100% to 1%. This feature facilitates the adaptation of the pump to the metering medium and increases the reliability and venting of high viscosity dosing media.

### COLOR DISPLAY AND ENCODER CONTROL

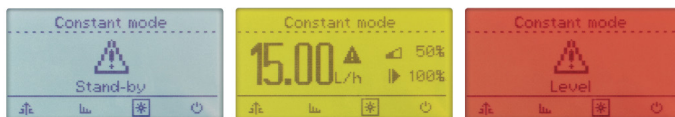
The PRISMA dosing pump is equipped with an encoder for quick and easy menu navigation, as well as a large display for a convenient setting of the operating parameters and monitoring of the pump functions.

The intelligent multi-function software allows the operator to precisely set the dosage required by the application. This allows you to enter the desired value and read it directly in ml/h or l/h via the graphic display. All operating modes are displayed clearly and easily through self-explaining symbols.

### OPERATING MODE

- > Constant
- > Proportional control by external input, mg/l (ppm) mode
- > Proportional control by external input, percentage (%) mode
- > Start-Pause
- > Weekly timer
- > External input (start and/or pause)

Operating messages are easily recognizable by different background colors of the display:



**White:** Pump in StandBy **Green:** Pump running **Red:** Alarm  
**Yellow:** Warning (product in tank at minimum)

### TURNDOWN FUNCTION

Prisma stepper motor-driven pumps give you the most accurate control over the stroke speed, providing an outstanding turndown ratio of up to 4800:1. It means prisma can split up the dosing process into a maximum of 4800 steps in order to offer the most homogeneous and precise distribution of the product to dose according to the required application. Furthermore CC per pulse function add an extra dosing precision.

### INPUTS

- Multi-function input for
  - > Level (with pre-alarm)
  - > Pulse sender water meter (PPM mode, %, mlq, mA, V, pulse)
  - > Standby
  - > External contact (free of voltage)

### OUTPUT

- > alarm (common to all alarms)

### INTERFACE

- > RS485
- > Modbus RTU
- > Bluetooth for remote controlling

### HYDRAULIC PARTS

- > PVDF
- > PP
- > stainless steel (AISI 316)
- > acrylic glass (PMMA)
- > double ball check valves
- > FKM B, EPDM, nitrile, PTFE O-rings

### MEMBRANE

- > PTFE membrane

### ACCESSORIES

- > 1/2", injector (made of PVDF or PP)
- > Axial bottom valve (made of PVDF or PP)
- > Empty signal level switch
- > 2m suction, suction and ventilation pipe (PVDF or PE and PVC)
- > INPUT multifunction cable
- > ALARM cable

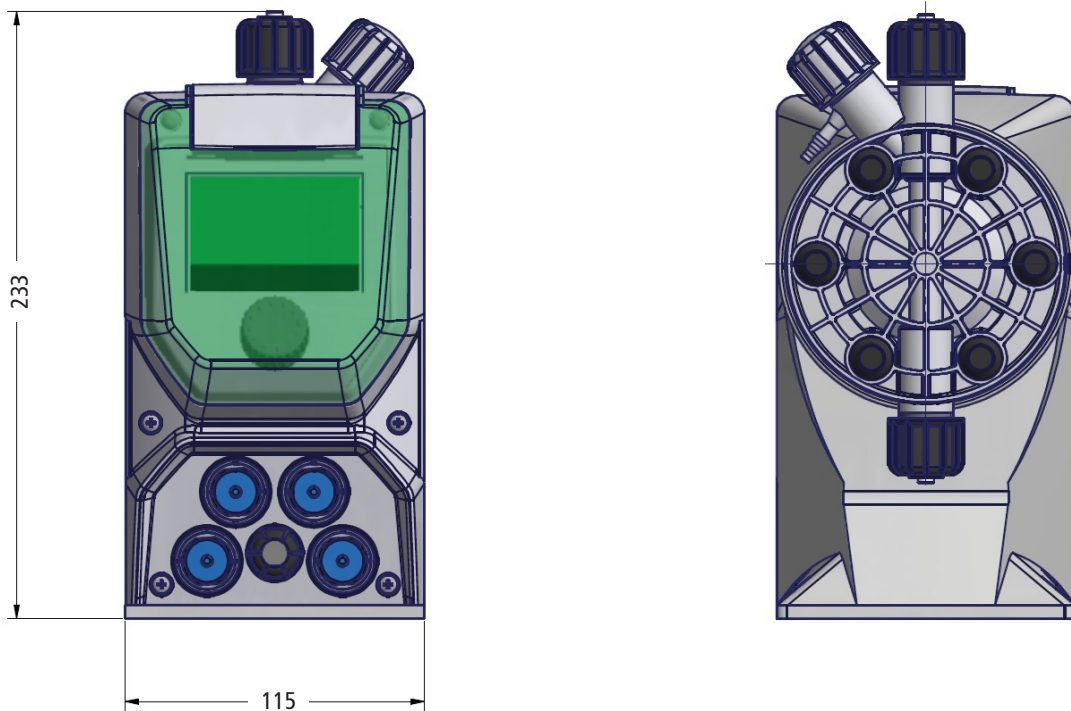
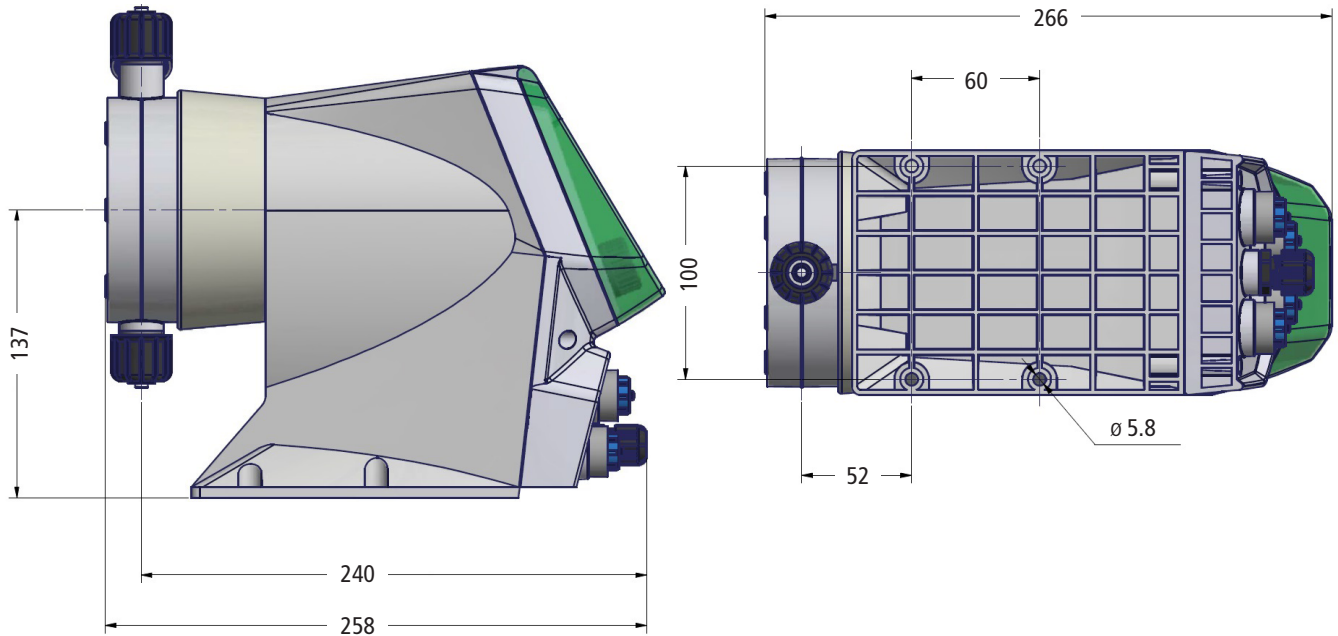
### APP CONTROLLED (iOS & Android)

- > bluetooth connectivity to in-app control and program the pump

MODEL	2001	2502	2005	1013	0720	0528	0450	0280	0370	167,5
Flow l/h (GPH)	1 (0.2)	2 (0.5)	5 (1.3)	13 (3.4)	20 (5.2)	28 (7.4)	50 (13.2)	80 (21.1)	70 (18.4)	7,5 (1.8)
Pressure max bar (PSI)	20 (290)	25 (362)	20 (290)	10 (145)	7 (101)	5 (72)	4 (58)	2 (29)	3 (43)	16 (232)
Pump Head (Model)	I	L	L	M	N	N	N	N	N	L
Pump Head (Material)	PVDF, PP, SS (AISI 316), Acrylic Glass (PMMA)									
Membrane	PTFE									
O-Ring	FKM B, EPDM, Nitril, PTFE									
Liquid-ends (S/D) mm	4x6 / 4x6			6x8 / 6x8		8x12 / 8x10			4x6 / 4x6	
Pump Head	3/8"				1/2"				3/8"	
Injection	1/2"					3/4"		1/2"		
Turn Down Ratio	1:4800 (minimum steps)									
Slow Mode	From 100% to 1%									
Input Pulses	max. 24VDC, max. 50mA									
Input Pulses (Hall)	max. 12VDC, max. 50mA, with extra output +12V									
Input Analog	0/4 - 20mA 0 - 10V (max load 500 Ω)									
Outputs Alarm	Free contact relais N.O./C/N.C. max load 250 VAC, 2A									
Level connection	12VDC, max. 50mA									
Protection	IP65 Humidity 85% und T ≤ 40 °C; 70% und T = 50 °C (no condensation)									
Pump housing	PP plastic reinforced with glass fiber									
Installation class	II									
Pollution level	2									
Environment Temperature °C	10 - 45									
Operating Temperature °C	1 - 45									
Transport & Storage Temperature °C	-10 - 50									
Power Supply	110 - 240 VAC, 50/60 Hz   9-36 VDC									
Energy consumption	30W (AC / DC)									
Communication	RS485 / Modbus RTU (Optional)									
Audible Noise	25dB (average)									
Repeatability	± 1%									
Net Weight	2,7 Kg (with "N" pump head)									

## DIMENSIONS (mm)

PRISMA 2001, 2005, 1013 and 2502



## DIMENSIONS (mm)

PRISMA 0528, 0280, 0450, 167,5 and 0720

