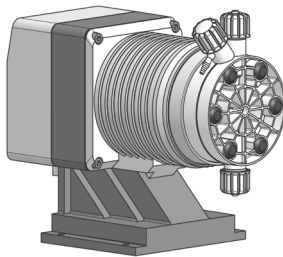
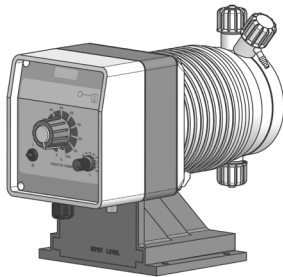


"AMS DIGITAL" series Metering Pumps

Data Sheet

"AMSA DIGITAL Self Venting"

Configuration code



Power supply: 230 VAC (190÷265 VAC)
 Power supply: 115 VAC (90÷135 VAC)
 Power supply: 24 VAC (20÷32 VAC)
 Power supply: 12 VDC (10÷16 VDC)

Model

A MF 2505 K 00 00

MODELS			
AMS Digital	AMSA Digital	MOD.	DESCRIPTION
MF	AF	"MF"	Digital multifunction pump (Constant, Divide, Multiply, PPM, Batch, Volt, mA, %, ml/q) , stand-by and flow sensor input, alarm output and level control. Recovery fault mode, work-pause mode and upkeep mode.
PH	AA	"PH"	Proportional pump driven by internal built-in pH meter (0-14 pH) and level control, supplied without pH probe.
RH	AH	"RH"	Proportional pump driven by internal built-in ORP meter (0-1000 mV) and level control, supplied without ORP probe.

CAPACITY					
AMS DIGITAL			Delivey hose (PVDF)	Suction hose	Pump head mod.
2505	5 l/h at 25 bar	1.32 GPH at 362 PSI	4 x 6	4 x 6	L
1510	10 l/h at 15 bar	2.64 GPH at 217 PSI	4 x 6	4 x 6	M
1015	15 l/h at 10 bar	3.96 GPH at 145 PSI	6 x 8	6 x 8	M
0720	20 l/h at 7 bar	5.28 GPH at 101 PSI	6 x 8	6 x 8	N
0340	40 l/h at 3 bar	10.56 GPH at 43 PSI	8 x 10	8 x 12	S
0260	60 l/h at 2 bar	15.85 GPH at 29 PSI	8 x 10	8 x 12	T
AMSA DIGITAL			Delivey hose (PVDF)	Suction hose	Pump head mod.
253.2	3.2 l/h at 25 bar	0.85 GPH at 362 PSI	4 x 6	4 x 6	LA
1506	6 l/h at 15 bar	1.59 GPH at 217 PSI	4 x 6	4 x 6	MA
1010	10 l/h at 10 bar	2.64 GPH at 145 PSI	6 x 8	6 x 8	MA
0713	13 l/h at 7 bar	3.43 GPH at 101 PSI	6 x 8	6 x 8	NA

POWER SUPPLY	
00	230 VAC Schuko plug
05	230 VAC australian plug
01	230 VAC without plug
03	115 VAC US plug
04	24 VAC without plug
05	12 VDC *
07	24 VDC

* On some models only.

LIQUID ENDS								
	HEAD	ORINGS	VALVE		DIAPHRAGM	HOSES		VISCOSITY Max CPS
			Body	Balls		Delivery	Suction	
K	PVDF	Viton ®	PVDF	Ceramic	PTFE	PVDF	PVC	100
P	PVDF	EPDM	PVDF	Ceramic	PTFE	PVDF	PVC	100
W	PVDF	Nytrile	PVDF	Ceramic	PTFE	PVDF	PVC	100
T	PVDF	Viton ® + PTFE	PVDF	Ceramic	PTFE	PVDF	PVC	100
S	PVDF	Silicone	PVDF	Ceramic	PTFE	PVDF	PVC	100
A	Acrylic	Viton ®	Polypropylene	Ceramic	PTFE	PVDF	PVC	100
Z	SS	Viton ®	SS	SS	PTFE	N/A	N/A	100
\$	Acrylic	Viton ®	Polypropylene	SS + Hastelloy spring	PTFE	Polyethylen	PVC	8000 *

Viton ® is a registered trademark DuPont Dow Elastomers.
 * Using high viscosity pump head mod. \$, pump output may results lower in some applications.



ISO 9001:2008
 ISO 14001:2004
 OHSAS 18001:2007



Via Donatori di sangue, 1 - 02100 Vazia (RI) - Italy
 Tel. +39 0746 2284 1 - Tel. +39 0746 1725114 - Fax +39 0746 2284 2 - http://www.emec.it

Specifications subject to change without notice.
 ENG R1-06-10

"AMS DIGITAL" series Metering Pumps

Data Sheet

"AMSA DIGITAL Self Venting"

INFORMATION						
AMS DIGITAL	Strokes speed		Stroke length range reliability	Power consumption at max flow (230 VAC)	Power consumption at max flow (115 VAC)	Weight
	min	max				
	strokes hour	strokes minute				
2505	1	120	from 30% to 100%	42 Watt	24 Watt	9 Kg (19.8 Lbs)
1510	1	120				
1015	1	120				
0720	1	120				
0340	1	120				
0260	1	130				
AMSA DIGITAL	Strokes speed		Stroke length range reliability	Power consumption at max flow (230 VAC)	Power consumption at max flow (115 VAC)	Weight
	min	max				
	strokes hour	strokes minute				
253.2	1	120	from 30% to 100%	42 Watt	24 Watt	9 Kg (19.8 Lbs)
1506	1	120				
1010	1	120				
0713	1	120				

MORE INFORMATION								
AMS DIGITAL	Flow				cc per Stroke		Max injection pressure	
	min	max	Min	Max	min	max	bar	PSI
	cc/h	l/h	GPH	GPH				
2505	0,21	5	0,039	1.32	0,21	0.70	25	362
1510	0,42	10	0,079	2.64	0,42	1.4	15	217
1015	0.62	15	0,118	3.96	0.62	2.08	10	217
0720	0,83	20	0,158	5.28	0,83	2.8	7	101
0340	1,67	40	0,317	10.56	1,67	5.6	3	43
0260	2,31	60	0,61	15.85	2,31	7,7	2	29
AMSA DIGITAL	Flow				cc per Stroke		Max injection pressure	
	min	max	Min	Max	min	max	bar	PSI
	cc/h	l/h	GPH	GPH				
253.2	0.44	3.2	0,025	0.85	0.13	0.44	25	362
1506	0.83	6	0,047	1.59	0.25	0.83	15	217
1010	1.39	10	0,079	2.64	0.48	1.39	10	217
0713	1.80	13	0,103	3.43	0.54	1.80	7	101

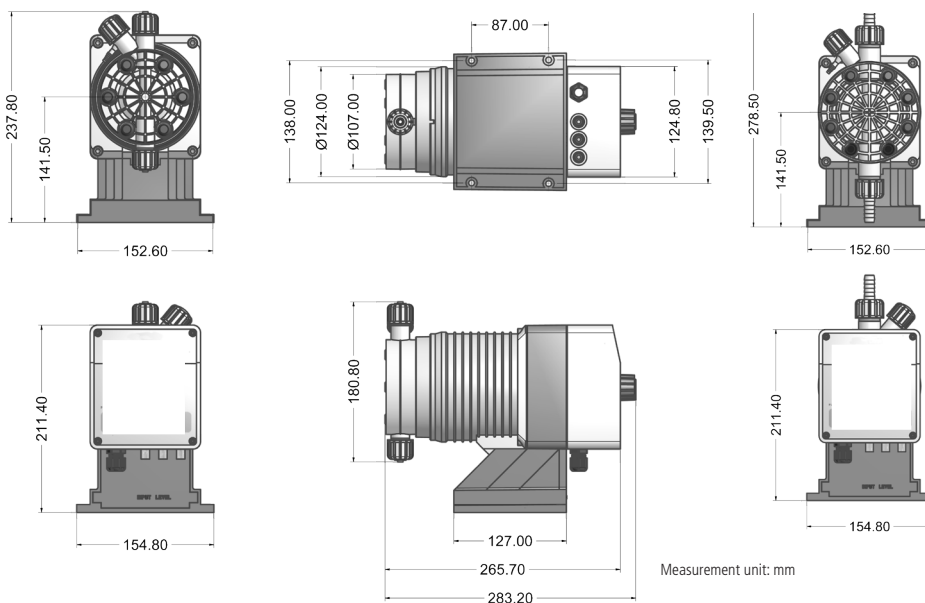
IP65 enclosure (NEMA4x)

AMS DIGITAL metering pumps are manufactured in moulded glass filled and Polypropylene housing to ensure protection against aggressive chemicals and tough environment.

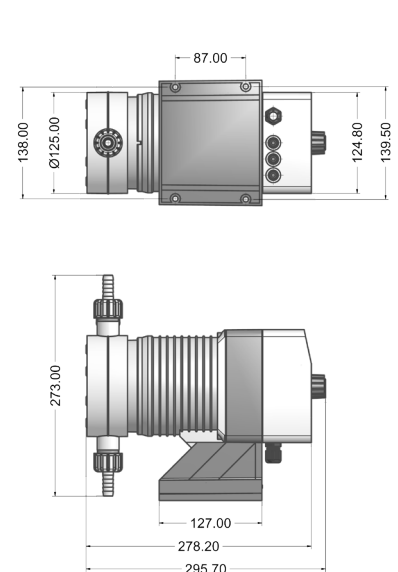
ENVIRONMENT:

-10°C - +45°C (14°F - 113°F)

"N" - "P" PUMP HEAD



"S" - "T" PUMP HEAD



EMEC

ISO 9001:2008
ISO 14001:2004
OHSAS 18001:2007



Via Donatori di sangue, 1 - 02100 Vazia (RI) - Italy
Tel. +39 0746 2284 1 - Tel. +39 0746 1725114 - Fax +39 0746 2284 2 - <http://www.emec.it>

Specifications subject to change without notice.
ENG R1-06-10