

Motor driven diaphragm metering pump



Motor-driven diaphragm dosing pump, mechanical actuated, PRIUS combines efficiency and chemical resistance to a wide capacity range for an extensive number of applications.

Functions

- Capacity range up to 500 l/h
- Working pressure up to 10 bar
- Liquid ends available in different sizes and materials
- Manual degassing valve
- PTFE membrane valve
- Single or three phase motor power supply

Features

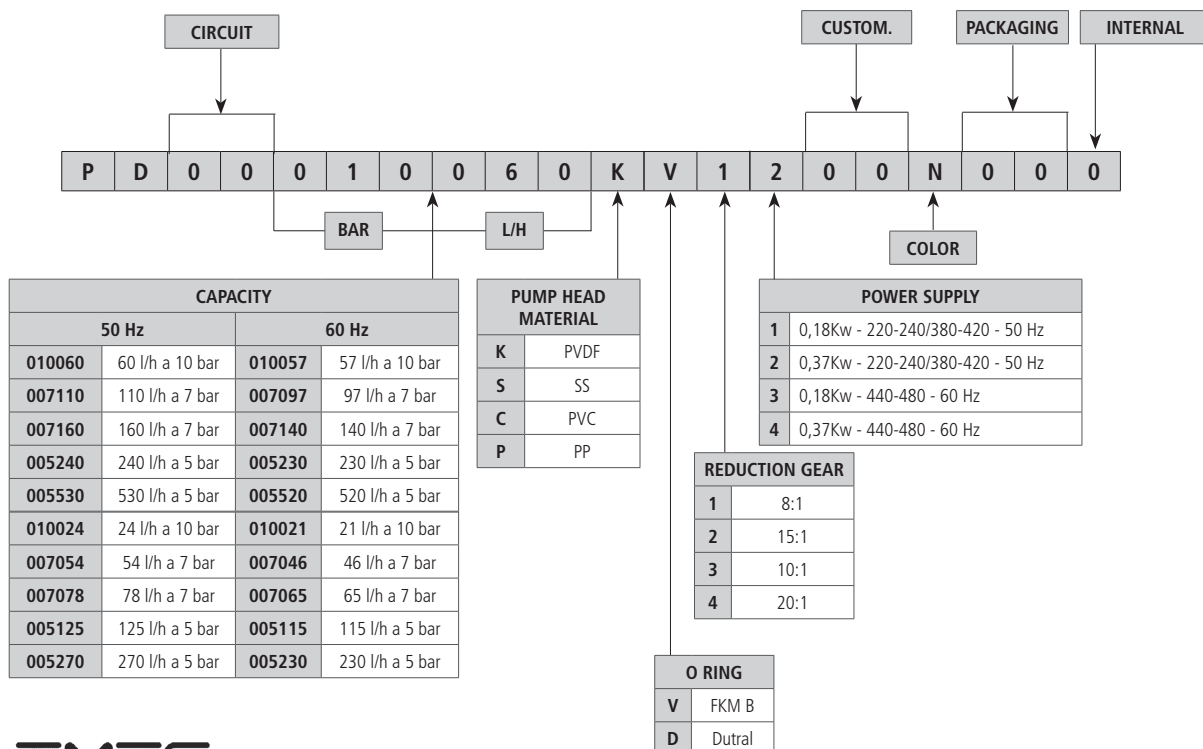
- Aluminium enclosure (epoxy coating)
- Spring return mechanism
- Environment temperature.....0 ÷ 40°C (32 ÷ 104°F)
- Chemical temperature with PVDF pump head: 0 ÷ 65°C (32 ÷ 149°F)*
- Chemical temperature with SS pump head: 0 ÷ 90°C (32 ÷ 194°F)*
- Chemical temperature with PVC pump head: 0 ÷ 40°C (32 ÷ 104°F)
- Installation classII
- Pollution level2
- Audible noise.....78 dbA (± 5 dB)
- Protection degreeIP 55
- Max suction height3 m
- Oil capacity.....0,3 lt (Refer to "Lubricant type" table)



* The specified temperature can be exceeded temporarily (max 15') for sterilization or flushing with hot water.

LUBRICANT TYPE	
BRAND	MODEL
MOBIL	MOBILGEAR 632
SHELL	OMALA OIL 320
BP	ENERGOL GR-XP 320
IP	MELLANA OIL 320
ESSO	SPARTAN EP 320
AGIP	BLASIA 320

Identification Code



PRIUS

Data Sheet

Motor driven diaphragm metering pump

PRIUS - 50 Hz

Power supply..... 220-240/380-420 V - Δ/Y

PRIUS 50 Hz													
MODELS	PRESSURE		CAPACITY		STROKE / 1'	MOTOR	REDUCTION GEAR	PUMP HEAD MODEL			HOSE CONNECTION		
	bar	PSI	l/h	GPH				PVDF	PVC	SS	PVDF pump head	PVC pump head	SS pump ead
010060	10	145	60	16	175	0,18 kW	8 : 1	NM	-	NM	1/2" 13 mm (i.d.)	-	R1/2" G1/2"
007110	7	101,5	110	29	175	0,37 kW	8 : 1	TM	-	TM	3/4" 13 mm (i.d.)	-	R3/4" G3/4"
007160	7	101,5	160	42	175	0,37 kW	8 : 1	TM	-	TM	3/4" 13 mm (i.d.)	-	R3/4" G3/4"
005240	5	72,5	240	63	175	0,37 kW	8 : 1	TM	-	TM	3/4" 18 mm (i.d.)	-	R3/4" G3/4"
005530	5	72,5	530	140	175	0,37 kW	8 : 1	-	UM	UM	-	G1-1/2" 32 mm (i.d.)	R1" G1"
010024	10	145	24	6,3	94	0,18 kW	15 : 1	NM	-	NM	1/2" 13 mm (i.d.)	-	R1/2" G1/2"
007054	7	101,5	54	14	94	0,37 kW	15 : 1	TM	-	TM	3/4" 13 mm (i.d.)	-	R3/4" G3/4"
007078	7	101,5	78	21	94	0,37 kW	15 : 1	TM	-	TM	3/4" 13 mm (i.d.)	-	R3/4" G3/4"
005125	5	72,5	125	33	94	0,37 kW	15 : 1	TM	-	TM	3/4" 18 mm (i.d.)	-	R3/4" G3/4"
005270	5	72,5	270	71	94	0,37 kW	15 : 1	-	UM	UM	-	G1-1/2" 32 mm (i.d.)	R1" G1"

PRIUS

Data Sheet

Motor driven diaphragm metering pump

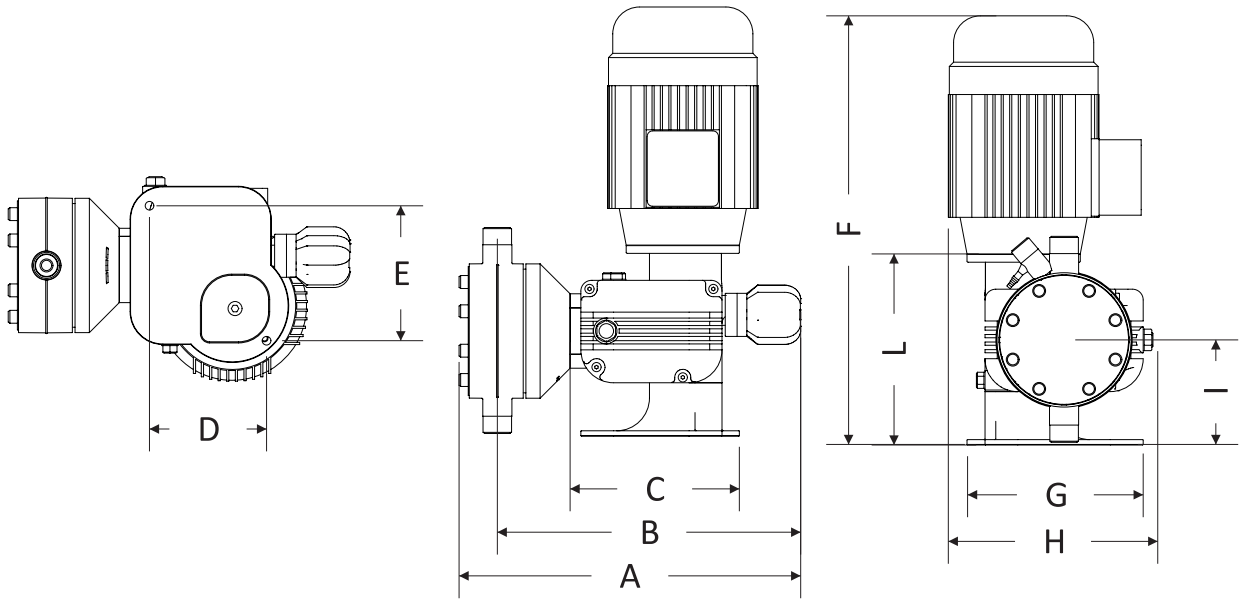
PRIUS - 60 Hz

Power supply..... 440-480 V - Y

PRIUS 60 Hz													
MODELS	PRESSURE		CAPACITY		STROKE / 1'	MOTOR	REDUCTION GEAR	PUMP HEAD MODEL			HOSE CONNECTION		
	bar	PSI	l/h	GPH				PVDF	PVC	SS	PVDF pump head	PVC pump head	SS pump head
010057	10	145	57	15	175	0,18 kW	10 : 1	NM	-	NM	1/2" 13 mm (i.d.)	-	R1/2" G1/2"
007097	7	101,5	97	26	175	0,37 kW	10 : 1	TM	-	TM	3/4" 13 mm (i.d.)	-	R3/4" G3/4"
007140	7	101,5	140	37	175	0,37 kW	10 : 1	TM	-	TM	3/4" 13 mm (i.d.)	-	R3/4" G3/4"
005230	5	72,5	230	61	175	0,37 kW	10 : 1	TM	-	TM	3/4" 18 mm (i.d.)	-	R3/4" G3/4"
005520	5	72,5	520	137	175	0,37 kW	10 : 1	-	UM	UM	-	G1-1/2" 32 mm (i.d.)	R1" G1"
010021	10	145	21	6	87	0,18 kW	20 : 1	NM	-	NM	1/2" 13 mm (i.d.)	-	R1/2" G1/2"
007046	7	101,5	46	12	87	0,37 kW	20 : 1	TM	-	TM	3/4" 13 mm (i.d.)	-	R3/4" G3/4"
007065	7	101,5	65	17	87	0,37 kW	20 : 1	TM	-	TM	3/4" 13 mm (i.d.)	-	R3/4" G3/4"
005115	5	72,5	115	30	87	0,37 kW	20 : 1	TM	-	TM	3/4" 18 mm (i.d.)	-	R3/4" G3/4"
005230	5	72,5	230	61	87	0,37 kW	20 : 1	-	UM	UM	-	G1-1/2" 32 mm (i.d.)	R1" G1"

Motor driven diaphragm metering pump

Dimensions



DIMENSIONS (mm)	
A	~ 320
B	~ 280
C	157
L	177
G	163
H	~ 190
I	97,5
F	~ 400
E	125,2
D	108,6
∅ fixing holes	8

WEIGHT			
50Hz PUMP	60 Hz PUMP	tot.	without motor
010060	010057	11,80 Kg	7,50 Kg
007110	007097	12,30 Kg	8,00 Kg
007160	007140	12,30 Kg	8,00 Kg
005240	005230	14,30 Kg	8,00 Kg
005530	005520	15,60 Kg	9,30 Kg
010024	010021	11,80 Kg	7,50 Kg
007054	007046	12,30 Kg	8,00 Kg
007078	007065	12,30 Kg	8,00 Kg
005125	005115	14,30 Kg	8,00 Kg
005270	005230	15,60 Kg	9,30 Kg

PACKAGING			
50Hz PUMP	60 Hz PUMP	Weight	Dimensions
010060	010057	17 Kg	60x80x62 cm
007110	007097	18 Kg	
007160	007140	18 Kg	
005240	005230	20 Kg	
005530	005520	21 Kg	
010024	010021	17 Kg	
007054	007046	18 Kg	
007078	007065	18 Kg	
005125	005115	20 Kg	
005270	005230	21 Kg	

